



Marbury Range

Marbury Tall Sink Mixer - Brushed Stainless Steel

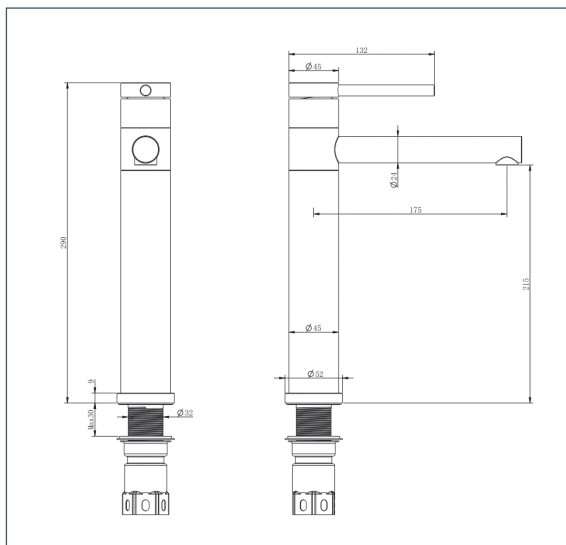
Product Code: MRB104BS

Finish: Brushed Stainless Steel

Features

- Construction:** Stainless steel
- Valve/Cartridge type:** 35mm Ceramic Cartridge
- Supply:** Suitable For Low Pressure Systems
- Working Pressures:** 0.3 - 5.0 bar
- Inlet connections:** 1/2" BSP
- Flexi or Copper:** Flexi Tails - M10

- Fitted with a ceramic cartridge to ensure smooth action and longer life
- Single tilt and turn lever for temperature and flow control
- Swivel Spout - For full sink access
- Stainless Steel Construction - Strong, durable and offers increased resistance against staining and corrosion
- Brushed stainless steel finish for easy maintenance - reduces fingerprints and watermarks
- Complete with 2 X 400mm Flexi Tails
- Tap Height: 290mm
- Spout Reach: 175mm



*Please refer to website for full warranty details.

Flow (Bar - l/min, open outlet)

Spout

Flow 0.1	Flow 0.3	Flow 0.5	Flow 1.0	Flow 2.0	Flow 3.0	Flow 4.0	Flow 5.0
2.2	3.3	4.4	6.3	8.9	10.9	12.6	14.1

