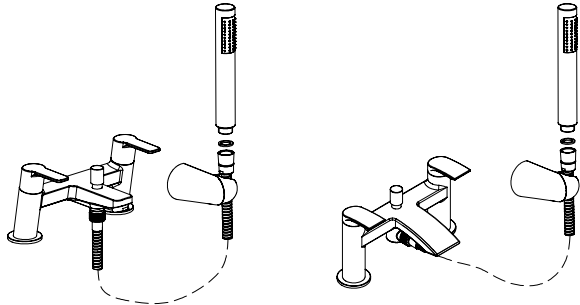


User Instructions

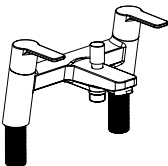
Bath Shower Mixer

90412 (V1)

41318 (V1)



WHAT'S IN THE BOX



Tap Body x1



Flange x2



Sealing Washer x2



Backnut washer x2



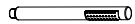
Backnut x2



Wall Bracket x1



Shower Hose x1



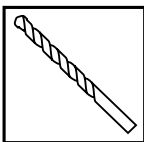
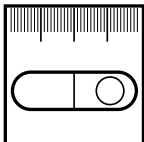
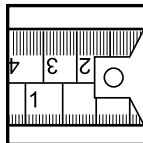
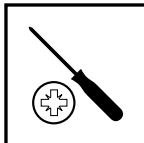
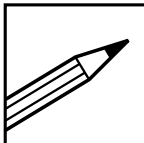
Handset x1

If you need any help, please contact us:

0808 100 7211 or 0330 333 3303

PLEASE KEEP THESE INSTRUCTIONS FOR FUTURE REFERENCE

TOOLS REQUIRED (tools not supplied)



HEALTH AND SAFETY

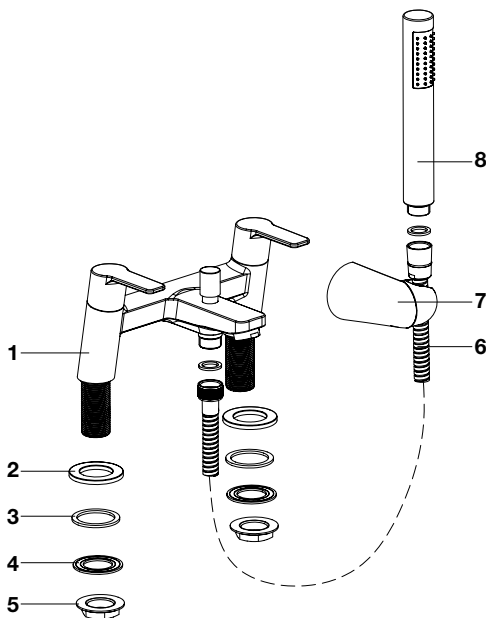
- Identify all components and check pack contents.
- Turn off mains water supply.
- Prior to drilling into walls, check that there are no hidden electrical wires, cables or water supply pipes. This can be checked with the aid of an electronic detector.
- Wear eye protection.
- This mixer should be installed in compliance with the UK Water Supply (Water Fittings) Regulations.

SPECIFICATION

- The mixer is suitable for use at water supply pressures of 0.1 bar (min.) to 5 bar (max.).
- This pressure rating is determined by the manufacturer using soft water under test house conditions and may differ to the retailer's recommendation.

ASSEMBLY AND USE

1. Fit Tap Body (1) to bath, ensuring that the Flange (2) with Sealing Washer (3) are fitted between the Tap Body (1) and the bath.
2. Fit Backnut Washer (4) over inlet legs. Then fit Backnuts (5) to the inlet legs and tighten. **DO NOT OVERTIGHTEN.**
3. Connect to the water supply using suitable plumbing joints.
4. Fix Shower Hose (6) to Tap Body (1) using the Rubber Washer supplied with the shower hose. Rubber Washer to be fitted between the Shower Hose (6) and the Tap Body (1). **DO NOT OVER TIGHTEN.**
5. Fix Wall Bracket (7) to the wall at the required height ensuring the Handset (8) will fit correctly into the Wall Bracket (7).
6. Turn on the hot and cold and mains water supply. Check for leaks immediately. It is always advisable at this stage to flush out the system. To do this, open both valves fully and allow water to flow for approx.1 minute. This will remove any foreign matter within the installation.
7. Finally turn on all the water heating arrangements.
8. Assemble Shower Hose (6) to Handset (8) using Rubber Washer supplied with Shower Hose (6). **DO NOT OVERTIGHTEN.**



Please note: Tap head shown is for illustration purposes only.

CARE AND CLEANING

Whilst modern plating techniques are used in the manufacture of these fittings, the plating will wear if not cleaned properly. The safest way to clean your product is to wipe with a soft damp cloth. Stains can be removed using washing up liquid. All cleaning powders and liquids will damage the surface of your fitting even the non-scratch cleaners.

TROUBLE SHOOTING

PROBLEM	CAUSE	REMEDY
No flow or low flow rate	Partially closed isolation valve.	Open isolation valve.
	Airlock or partial blockage in the supply pipework.	Flush through pipework to ensure removal of debris and any airlocks.
	Head of water is below the minimum distance required.	Refer to specification for minimum distance required.
Water dripping from taps	This is normal for a short time after using the taps.	This is caused by residual water tension, the build up of water in the tap body.
	If water continues to drip, possibly due to the ceramic disc valves	Remove valves and clean.
Taps do not turn on	Mains water supply turned off.	Turn on mains water supply.
	Closed isolation valve.	Open isolation valve.

CUSTOMER SUPPORT

www.toolstation.com/contact

Call us 0808 100 7211

Mobile friendly 0330 333 3303

Email info@toolstation.com

Made in china