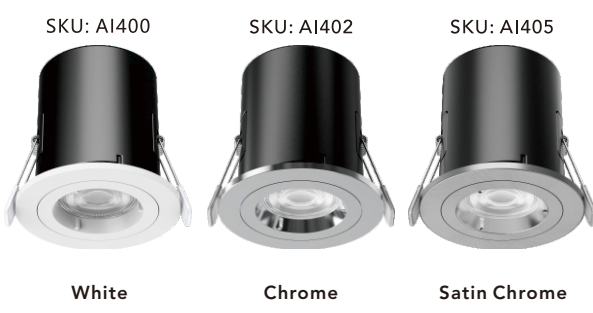


Original User's Instructions

Wessex IP20 Fire Rated Downlight GU10 Can Adjustable

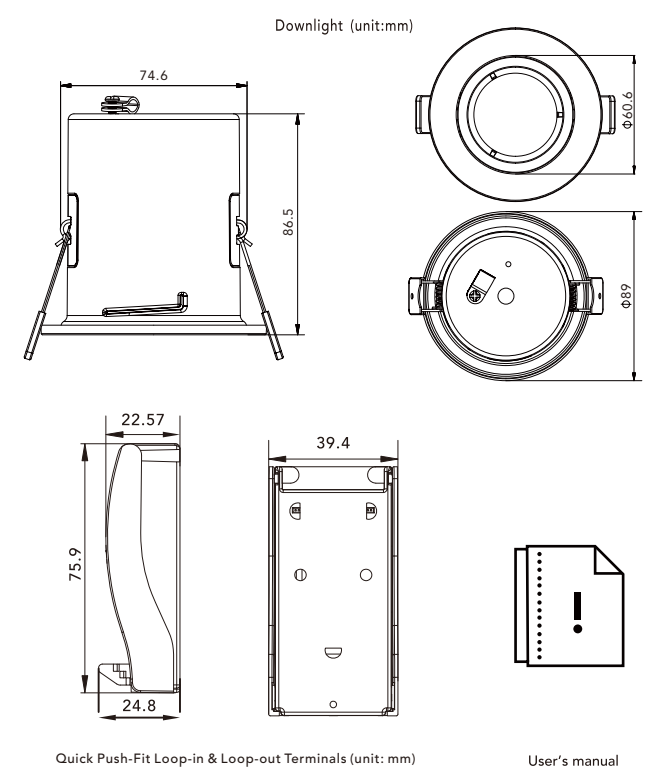


READ BEFORE USE
PLEASE KEEP THESE INSTRUCTIONS FOR FURTHER REFERENCE

CONTENT

- WHAT'S IN THE BOX..... 3
- TOOLS REQUIRED..... 4
- SPECIFICATIONS..... 4
- EXPLANATIONS AND SYMBOLS, CAUTIONS AND WARNINGS..... 5
- IMPORTANT SAFETY WARNINGS..... 6
- PRODUCT DESCRIPTION AND IDENTIFICATIONS..... 7
- ASSEMBLY AND OPERATING INSTRUCTIONS..... 8
- CARE AND CLEANING..... 10
- TROUBLE SHOOTING..... 10
- ENVIRONMENTAL INFORMATION..... 10
- DECLARATION OF CONFORMITY / PERFORMANCE..... 11
- GUARANTEE..... 12
- CUSTOMER SUPPORT..... 12

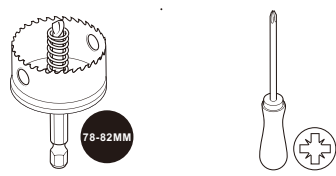
WHAT'S IN THE BOX



Quick Push-Fit Loop-in & Loop-out Terminals (unit: mm)
If you do not have all these items, please contact:
www.toolstation.com/contact
Telephone 0808 100 7211 Mobile Friendly 0330 333 3303
Email info@toolstation.com

User's manual

TOOLS REQUIRED



SPECIFICATIONS

- IP20 Adjustable GU10 Downlight
- Black all-steel body with metal bezel
- Loop-in/loop-out terminal block
- Fire rated to 30, 60, 90 mins
- Solid Wood Timber Joists & I-joists ceiling compatible
- Suitable for a GU10 bulb (max 7W) - not included
- Depth 86.5mm, Diameter 89mm, Cut-out 78-82mm

TECHNICAL DATA

Model/SKU	A1400 (TP-FRDC-A-W/FRC-A-WH) A1402 (TP-FRDC-A-C/FRC-A-WH) A1405 (TP-FRDC-A-SC/FRC-A-WH)
Fire Rating	Fire rated to 30, 60, 90 minutes Solid Wood Timber Joists & I-joists ceiling compatible
Input Voltage Supply	220-240V-50/60Hz
Replaceable GU10 (LED Only) by end user	Max 7W
Power Cord Spec	H03VVH2-F 2*0.75mm ²
IP Rating	IP20
Net Weight (approx.) -g	222
Dimensions (mm)	Diameter-89 Projection-4.0 Overall Height-86.5
Cut-out diameter (mm)	78-82

EXPLANATIONS AND SYMBOLS, CAUTIONS AND WARNINGS



Fire Rated to 30, 60 & 90 minutes.
Solid Wood Timber Joists & I-joists ceiling compatible.



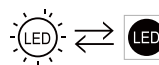
The product complies with the applicable European Directives and an evaluation method of conformity for these Directives was done.



UK Conformity Assessed



This marking indicates that this product should not be disposed with other household wastes. To prevent possible harm to the environment or human health from uncontrolled waste disposal, recycle it responsibly to promote the sustainable reuse of material resources.



Replaceable light source

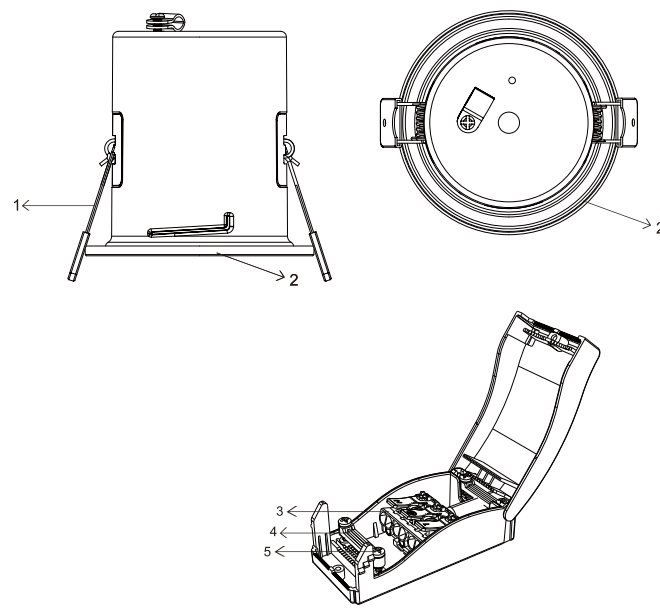


Pursuant to relevant electrical safety standards, this Class I equipment shall be reliably grounded.

IMPORTANT SAFETY WARNINGS

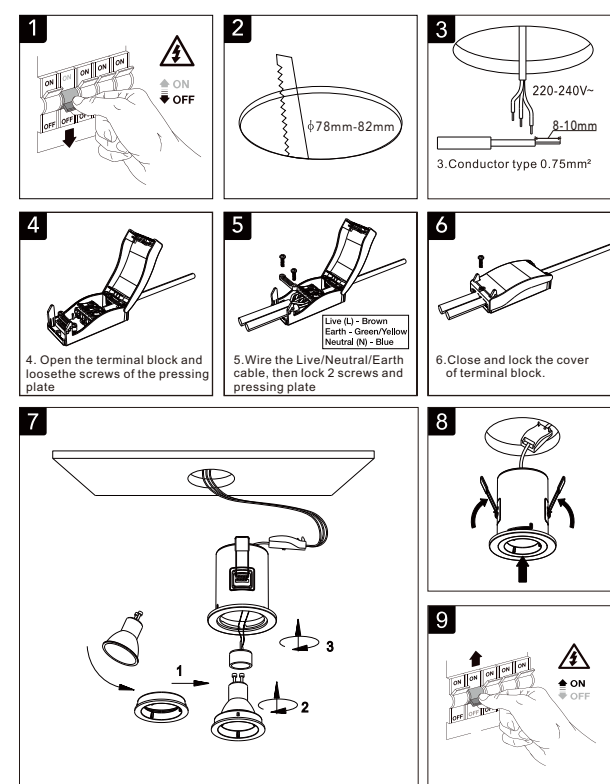
- These instructions are for your safety. Please read through them thoroughly prior to installation and retain them for future reference.
- Installation should be carried out by a qualified electrician in accordance with the latest edition of the national wire regulations, IET Wiring Regulations, BS7671.
- If this product is being fitted as a replacement into an existing installation, consideration must be given to the version of the Wiring Regulations under which the original installation was completed.
- Ensure mains supply is switched off before commencing work.
- Ensure that all electrical connections are tight with no loose strands.
- Suitable for indoor use only.
- Use only on a firm, flat and level surface.
- Do not stare directly at the LED light beam.
- Do not use with the cable stretched or under tension.
- The external flexible cable or cord of this down light cannot be replaced. If the cord is damaged, the down light should be destroyed.
- This product was tested in 30, 60, 90 mins I-joists fire rated ceilings and solid wood timber joists fire rated ceilings.

PRODUCT DESCRIPTION AND IDENTIFICATIONS



1. Spring Clip
2. Metal Bezel
3. Push-fit Terminals
4. Cord Pressing Plate
5. Screw

ASSEMBLY AND OPERATING INSTRUCTIONS



Assemble and operating the downlight

- If in any doubt about the installation or use of this product, consult a qualified electrician.
- Check the pack and make sure you have all of the parts listed.
- Before commencing installation or maintenance, ensure electricity is switched off at the mains.
- Before cutting, ensure that the hole does not impinge on joists, pipe work, cables or other building services.
- This down light requires a round hole 78mm-82mm to be cut into the ceiling for correct installation. Connect AC power supply to fitting in the provided quick push-fit loop-in & loop-out terminals. Live (Brown), Earth (Green/Yellow), Neutral (Blue).
- To open the terminal box, it needs to gently squeeze the upper part of the box by both sides and pull to remove the upper part of the box from the lower part. After power supply cables connected tightly, replace the upper part of the box securely to the lower part. Use the cord pressing plate to secure the fixed power cord.
- Ensure that all electrical connections are tight with no loose strands.
- Hold retention spring vertically against heat sink, push fitting through the cut-out until the springs come down on the upper side of the plasterboard. Ensure that the fitting is secure and the bezel is tight against the ceiling.
- NOTE: It should be noted that when replacing the bulb which needs to be tilted and a force should be applied to push it, and do not forcefully pull it in a vertical direction.

CARE AND CLEANING

- Disconnect the power and allow the light to cool.
- Clean the exterior of this light only with a soft dry cloth.
- Do not use any chemical or abrasive cleaners.

TROUBLE SHOOTING

Use this section to help you to try and solve any problems you may have:

- If the external flexible cable or cord of this light is damaged, it shall be exclusively replaced by the manufacturer or his service agent or similar qualified person in order to avoid a hazard.

NOTE: IF YOU EXPERIENCE A PROBLEM WITH YOUR PRODUCT, PLEASE DO NOT ATTEMPT TO OPEN OR REPAIR THE PRODUCT YOURSELF. DOING SO MAY VOID THE WARRANTY AND COULD CAUSE DAMAGE OR PERSONAL INJURY. IF THE PROBLEM STILL PERSISTS, PLEASE CONTACT US BY REFERRING TO THE SERVICE & SUPPORT INFORMATION ON THE FOLLOWING PAGE.

ENVIRONMENTAL INFORMATION



The symbol on the product or its packaging indicates that this product must not be disposed of with your other household waste. Instead, it is your responsibility to dispose of your waste equipment by handing it over to a designated collection point for the recycling of waste electrical and electronic equipment. The separate collection and recycling of your waste equipment at the time of disposal will help conserve natural resources and ensure that it is recycled in a manner that protects human health and the environment. For more information about where you can drop off your waste for recycling, please contact your local authority, or where you purchased your product.

DECLARATION OF CONFORMITY / PERFORMANCE

DECLARATION OF CONFORMITY



1. Product Models:
AI400 / TP-FRDC-A-W (FRC-A-WH)
AI402 / TP-FRDC-A-C (FRC-A-WH)
AI405 / TP-FRDC-A-SC (FRC-A-WH)
2. Product Description:
Wessex IP20 Fire Rated Downlight GU10 Can Adjustable White
Wessex IP20 Fire Rated Downlight GU10 Can Adjustable Chrome
Wessex IP20 Fire Rated Downlight GU10 Can Adjustable Satin Chrome
3. Name and Address of the Manufacturer (or its authorised representative in the UK):
Toolstation - company number 04372131.
4. This declaration of conformity is issued under the sole responsibility of Toolstation.
5. The object of the declaration described above is in conformity with the relevant Union harmonisation legislation:
• Low Voltage Directive - 2014/35/EU (The Electrical Equipment (Safety) Regulations 2016 - SI 2016/1101)
• Restriction of the Use of Certain Hazardous Substances in Electrical and Electronic Equipment (RoHS) - Directive 2011/65/EC (The Restriction of the Use of Certain Hazardous Substances in Electrical and Electronic Equipment Regulations 2012 - SI 2012/3032)
6. References to the relevant standards used or references to the specifications in relation to which conformity is declared:

EN IEC 60598-1
EN IEC 60598-2-2
EN 62493

Signed for and on behalf of Toolstation - company number 04372131.

GUARANTEE

Toolstation products deliver reliable service for normal, household or trade use in settings. All Toolstation products are individually tested before leaving the factory.

Your product is under guarantee for 1 year from the date of purchase or the date of delivery of the product, if later.

The guarantee is subject to the following provisions:

- The guarantee does not cover accidental damage, misuse, knobs, or consumable items.
- The product must be correctly installed and operated in accordance with the instructions contained in this manual.
- The guarantee will be rendered invalid if the product is re-sold.
- Specifications are subject to change without notice.
- The manufacturer disclaims any liability for incidental or consequential damages.
- The guarantee is in addition to, and does not diminish your statutory or legal rights.

CUSTOMER SUPPORT

www.toolstation.com/contact
Call us 0808 100 7211
Mobile friendly 0330 333 3303
Email: info@toolstation.com
Made in China

Imported by Toolstation 04372131.
Wessex Electrical is a Toolstation brand.
Toolstation is part of Travis Perkins Trading Company Limited